

**SEM<sup>+</sup>**

Your Trusted Partner  
in Airflow Solutions



**Mastering the Movement of Air-----**

INDUSTRIAL FANS & BLOWERS | CUSTOM VENTILATION SYSTEMS | AIR MOVEMENT SOLUTIONS

[www.superiorelectric.in](http://www.superiorelectric.in)

# About SEM

## ■ **INTRO :**

Superior Electric Machines Pvt Limited, a successful company spanning more than three decades in providing solutions to air movement in India and abroad by developing, manufacturing and supplying external rotor blowers, axial fans, centrifugal fans, in line duct fans etc. with single and double inlet and of various combinations of impeller profiles like forward and backward curved, custom made air moving equipments to satisfy customer requirements. We are also OEM for critical components required for manufacture of other air moving equipments.

## ■ **QUALITY STATEMENT :**

We have our own testing and inspection procedures adhered to ISO 9001-2015 standard and each of our products are packed with a thrust on "QUALITY & RELIABILITY", ensuring our products are engineered and manufactured to the highest standard.

## ■ **RESEARCH & DEVELOPMENT :**

Our production facility is backed up with a research and development wing which ensures that our products meet the requirements of each customer. New products based on energy efficiency, noise reduction, environment friendly, are added in our production line frequently.

## ■ **OUR STRATEGY & VISION :**

By understanding our customers and knowing precisely what they want, we aim for a customer service approach that nullifies the inconvenience to customers as much as possible. Our in-house design team assesses the requirements and develops an air movement solution to suit customers' needs. Any special requests shall be considered when developing a solution to meet their requirements.

We give importance for best possible efficiency, minimizing noise levels and vibrations which is a challenge within which we relentlessly pursue each and every day.

Our ability to supply products of the highest quality offering optimum performance and longevity of life is the end result of working successfully with end users in numerous applications to gain a total understanding of the needs of industry for over 36 years. During this time we have invested continuously in the latest design and manufacturing techniques and the people we employ, enabling them to offer the ultimate in fans and blowers technology.

## ■ **MARKET :**

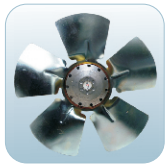
Recognized in India as a leading fan & blower manufacturer, we have built our reputation by supplying products with quality of the highest level built-in from concept, through precision design, the entire manufacturing process, and final testing to prove performance ability. As a part of our long term strategy to retain our market position and customers requiring air movement technology and provide solutions to individual requirements, we design our products using the latest advances in CAD/CAM coupled with the skills, knowledge and expertise of our designers and technicians.

## Range of Products



### Blower / Centrifugal Fans

- Single Inlet forward Curved Impeller
- Double Inlet forward Curved Impeller
- Single Inlet backward Curved Impeller
- Conventional Motor Blowers
- Heavy duty Centrifugal Blowers upto 12.5 HP
- Double Blower Single & Double Inlet



### Axial Fans

- Press Fit Impeller
- Rivetted Impeller
- With round casing
- With square casing
- With basket grill
- With Straight grill
- For Motor cooling units
- Exhaust Fans



### Special purpose Fans

- In-Line Duct Fans
- Tube-axial Fans
- For Inflatables



### Motors

- Induction Motors
- Pump Motors

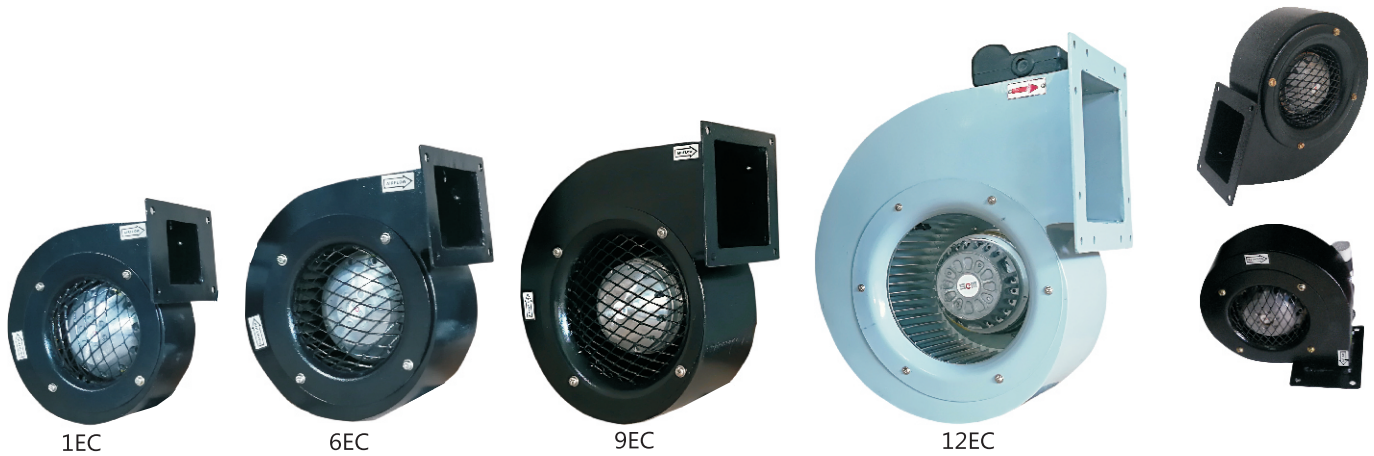
## Fan Applications

- Refrigeration & Air Conditioning
- Dust Extraction Equipments
- Roof Extractors
- Thyristor Cooling
- Fume Extractor
- Condenser Cooling
- Duct Booster
- Welding Fume Removal
- Kitchen Exhaust
- Humidity & Moisture Control
- Welding Transformers & Rectifiers
- Electronic Equipments
- Control Panels
- Deep Freezers
- Water Coolers
- Elevator Cabins
- Variable Frequency Drive Motors
- Forced Ventilation
- Smoke Extraction
- Power Transformer Cooling

## Blower Applications

- Plastic Extrusion
- Clean Air Equipment
- Freezer Air Circulation
- Air to Air Heat Exchanger or Heat Extractors
- Forced Cooling
- Gas Burners
- Reprographic Printing
- Xenon Lamps
- Air Purifying
- Clean Air Cabinets
- Welding Bench
- Data Processing Machines
- Central Ventilating Appliances
- Inflatables
- Clean Room Industries
- Pharmaceutical Industries

## SINGLE INLET FORWARD CURVED IMPELLER

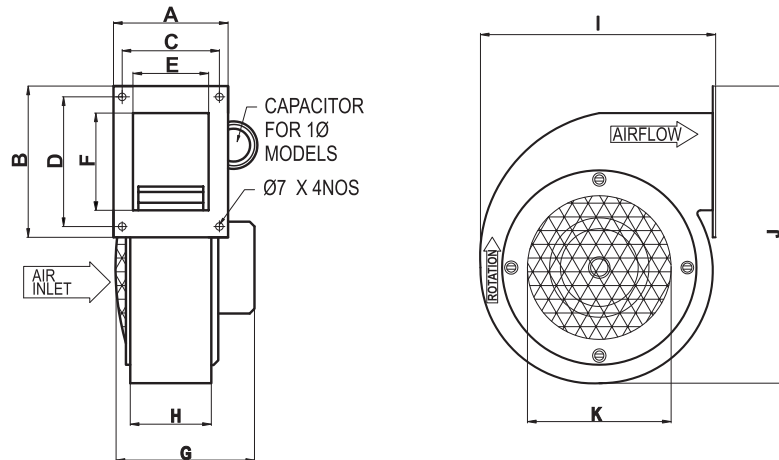


### Technical Specification

TYPE	I/P SUPPLY	AMPS (A)	WATTS (W)	RPM	AIRFLOW		STATIC-PR (mm-wc)	dBA	CAP. $\mu$ f	ADMISSIBLE AMBIENT TEMP	WEIGHT Kg
					(CMH)	(CFM)					
1EC 1BF	230V, 1 $\emptyset$ , 50Hz	0.22	50	1450	55	32	6	50	1.0	60	2.25
1EC 1BT	230V, 1 $\emptyset$ , 50Hz	0.15	40	2750	140	82	25	72	2.0	60	2.25
1EC 3BT	415V, 3 $\emptyset$ , 50Hz	0.18	50	2800	140	82	25	72	..	60	2.25
5EC 1BT	230V, 1 $\emptyset$ , 50Hz	0.35	65	2700	290	171	35	64	2.0	60	2.50
5EC 3BT	415V, 3 $\emptyset$ , 50Hz	0.2	90	2650	290	171	35	72	..	60	3.00
6EC 1BT	230V, 1 $\emptyset$ , 50Hz	0.40	120	2600	410	241	30	73	2.0	60	3.20
6EC 3BT	415V, 3 $\emptyset$ , 50Hz	0.25	120	2750	410	241	35	74	..	60	3.60
6EC 3BF	415V, 3 $\emptyset$ , 50Hz	0.35	70	1440	240	141	20	62	..	60	3.60
7EC 1BT	230V, 1 $\emptyset$ , 50Hz	0.60	140	2550	500	294	38	68	4.0	60	4.30
7EC 3BT	415V, 3 $\emptyset$ , 50Hz	0.25	140	2550	500	294	38	68	..	60	4.40
9EC 1BF	230V, 1 $\emptyset$ , 50Hz	0.25	55	1400	220	129	18	60	2.5	60	4.50
150EC 1BT	230V, 1 $\emptyset$ , 50/60Hz	0.65/ 0.75	155/ 180	2500/ 2900	450/ 520	265/ 306	40/42	70/ 72	4	60	4.50
9EC 3BF	415V, 3 $\emptyset$ , 50Hz	0.35	90	1440	240	141	18	64	..	60	4.50
9EC 1BT	230V, 1 $\emptyset$ , 50Hz	0.65	160	2500	450	265	40	70	4.0	60	4.50
9EC 3BT	415V, 3 $\emptyset$ , 50Hz	0.25	160	2500	450	265	40	70	..	60	4.50
10EC 1BT	230V, 1 $\emptyset$ , 50Hz	1.00	235	2300	630	371	55	70	6.0	60	4.00
10EC 3BT	415V, 3 $\emptyset$ , 50Hz	0.30	200	2300	630	371	55	70	..	60	4.00
11EC 1BT	230V, 1 $\emptyset$ , 50Hz	1.80	400	2350	750	440	60	72	6.0	60	4.80
11EC 3BT	415V, 3 $\emptyset$ , 50Hz	0.65	360	2450	780	460	60	72	..	60	4.80
12EC 1BF	230V, 1 $\emptyset$ , 50Hz	0.65	170	1350	1050	618	20	68	5.0	60	7.50
12EC 3BF	415V, 3 $\emptyset$ , 50Hz	0.40	200	1350	1050	618	20	68	..	60	7.50

\*Tolerance  $\pm$ 5% on Specified values

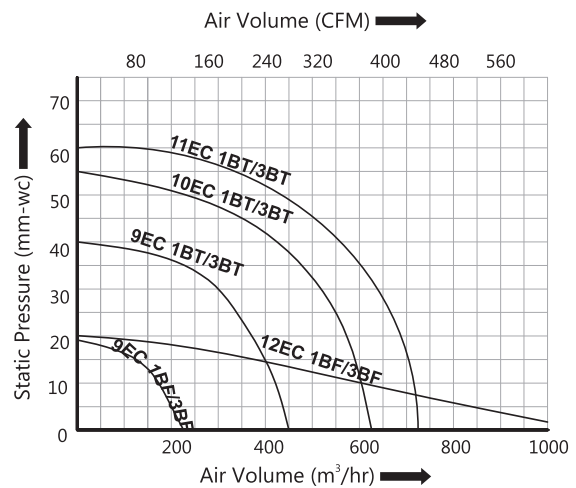
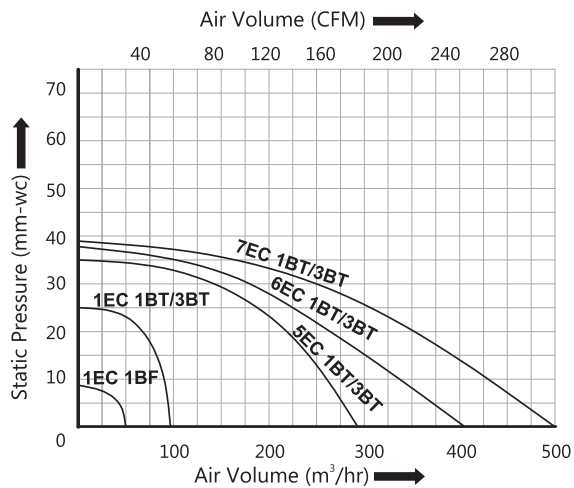
PRODUCT DRAWING



Dimensional Details

TYPE	A	B	C	D	E	F	G	H	I	J	K
1EC SERIES	117	88	99	67	57	57	90	56	177	191	96
5EC SERIES	114	85	100	68	80	60	128	81	176	187	96
6EC SERIES	120	111	100	85	85	73	134	86	178	210	96
7EC SERIES	130	120	115	105	95	92	160	98	222	265	125
9EC/150EC	109	140	90	120	70	90	128	75	225	275	140
10EC SERIES	135	122	115	105	95	92	160	98	222	265	140
11EC SERIES	125	140	110	120	86	110	165	105	261	290	145
12EC SERIES	183	188	163	168	129	134	157	135	296	360	149

Performance Chart



## DOUBLE INLET FORWARD CURVED IMPELLER 133 SERIES

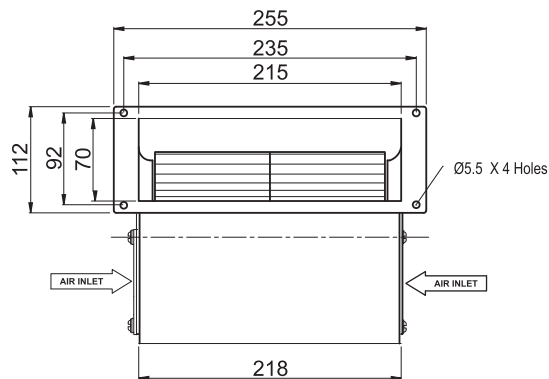


### Technical Specification\*

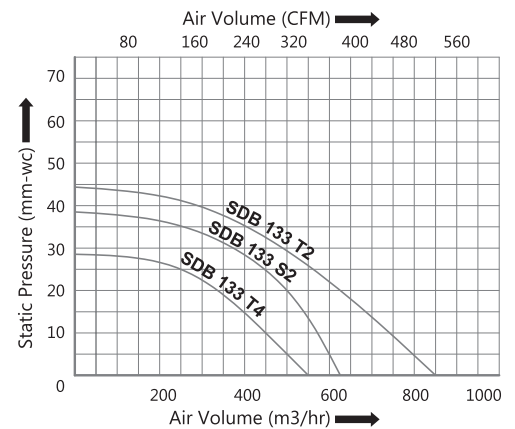
TYPE	I/P SUPPLY	AMPS (A)	WATTS (W)	RPM	AIRFLOW		STATIC-PR (mm-wc)	dBA	CAP. $\mu$ f	ADMISSIBLE AMBIENT TEMP	WEIGHT Kg
					(CMH)	(CFM)					
SDB 133 T4	415V, 3 $\emptyset$ , 50Hz	0.38	100	1450	550	324	30	55	..	60	4.2
SDB 133 S2/35	230V, 1 $\emptyset$ , 50Hz	0.80	180	2300	825	485	44	60	3.15	60	4.2
SDB 133 S2/25	230V, 1 $\emptyset$ , 50Hz	0.5	140	1750	620	365	38	55	2.5	60	4.3
SDB 133 S4	230V, 1 $\emptyset$ , 50Hz	0.25	60	1400	500	295	28	55	2.0	60	4.2
SDB 133 T2	415V, 3 $\emptyset$ , 50Hz	0.25	175	2450	850	500	45	60	..	60	3.8

\*Tolerance  $\pm$ 5% on Specified values

### Dimensional Drawing



### Performance Chart



DOUBLE INLET FORWARD CURVED IMPELLER 140 SERIES

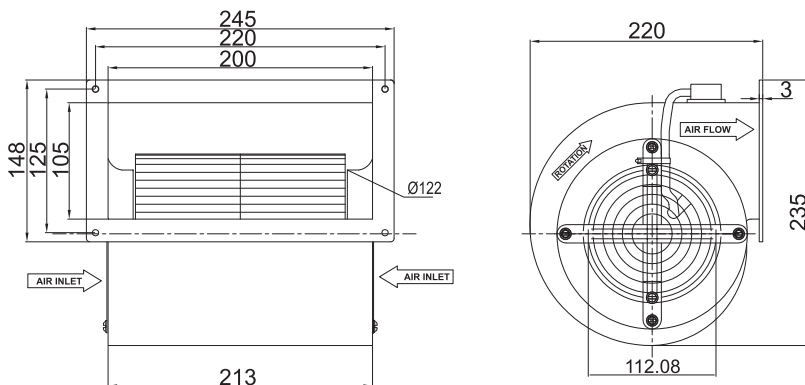


Technical Specification\*

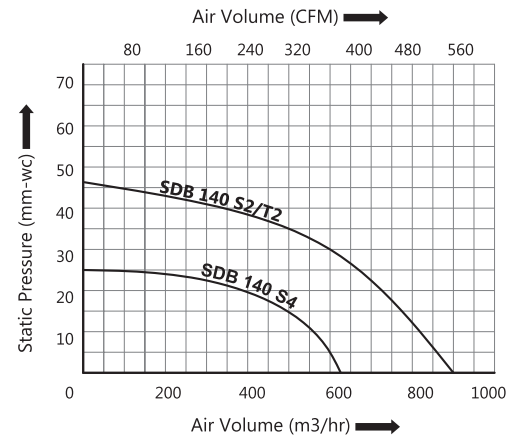
TYPE	I/P SUPPLY	AMPS (A)	WATTS (W)	RPM	AIRFLOW		STATIC-PR (mm-wc)	dBA	CAP. $\mu$ f	ADMISSIBLE AMBIENT TEMP	WEIGHT Kg
					(CMH)	(CFM)					
SDB 140 S2	230V, 1 $\emptyset$ , 50Hz	1.25	250	2450	900	529	47	72	6	60	5.3
SDB 140 S4	230V, 1 $\emptyset$ , 50Hz	0.5	110	1400	620	365	25	65	4	60	5.3
SDB 140 T2	415V, 3 $\emptyset$ , 50Hz	0.35	250	2300	850	500	46	72	..	60	5.3

\*Tolerance  $\pm$ 5% on Specified values

Dimensional Drawing



Performance Chart



DOUBLE INLET FORWARD CURVED IMPELLER 150 SERIES

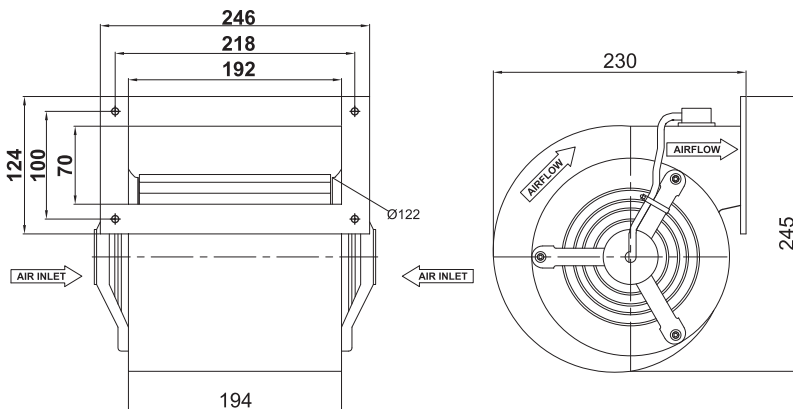


Technical Specification\*

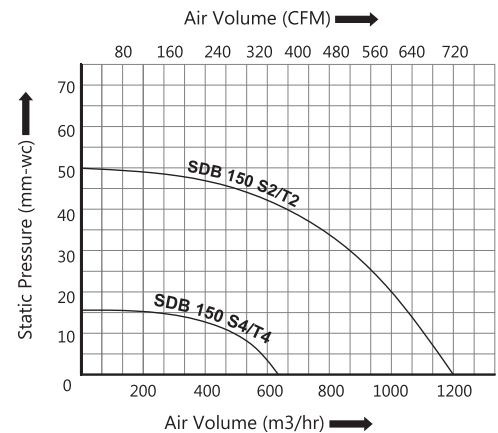
TYPE	I/P SUPPLY	AMPS (A)	WATTS (W)	RPM	AIRFLOW		STATIC-PR (mm-wc)	dBA	CAP. $\mu$ f	ADMISSIBLE AMBIENT TEMP	WEIGHT Kg
					(CMH)	(CFM)					
SDB 150 S2	230V, 1 $\emptyset$ , 50Hz	2	450	2700	1200	706	50	76	12.5	60	8.5
SDB 150 T2	415V, 3 $\emptyset$ , 50Hz	0.75	430	2600	1200	706	50	76	..	60	8.5
SDB 150 S4	230V, 1 $\emptyset$ , 50Hz	0.4	100	1440	620	365	14	61	4	60	8.5
SDB 150 T4	415V, 3 $\emptyset$ , 50Hz	0.65	130	1450	620	365	14	61	..	60	8.5

\*Tolerance  $\pm$ 5% on Specified values

Dimensional Drawing



Performance Chart



**DOUBLE INLET FORWARD CURVED IMPELLER 180 SERIES**

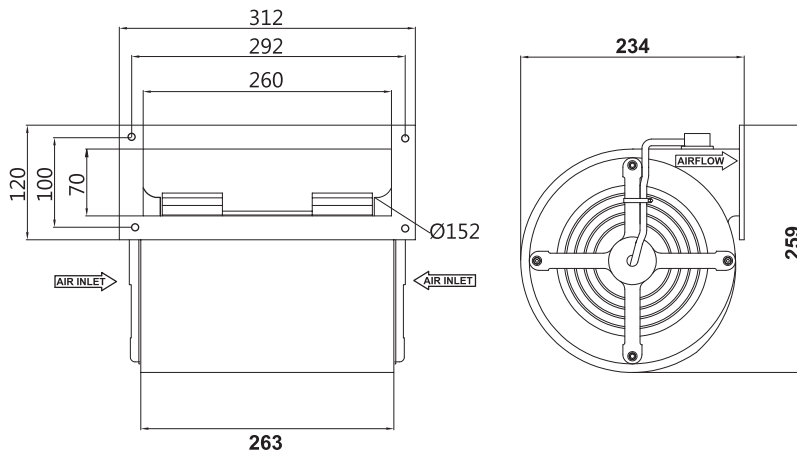


**Technical Specification\***

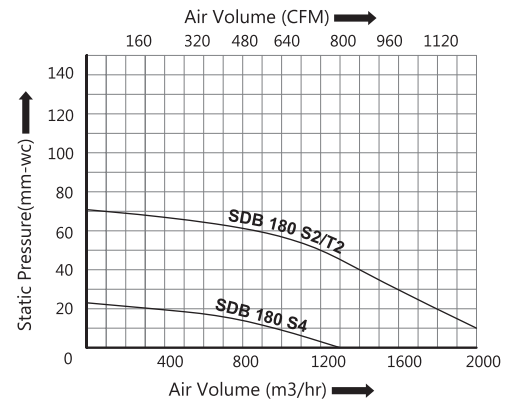
TYPE	I/P SUPPLY	AMPS (A)	WATTS (W)	RPM	AIRFLOW		STATIC-PR (mm-wc)	dBA	CAP. $\mu$ f	ADMISSIBLE AMBIENT TEMP	WEIGHT Kg
					(CMH)	(CFM)					
SDB 180 S2	230V, 1 $\emptyset$ , 50Hz	4.2	950	2550	2150	1265	70	80	15	60	14
SDB 180 T2	415V, 3 $\emptyset$ , 50Hz	1.25	750	2550	2150	1265	70	80	..	60	14
SDB 180 S4	230V, 1 $\emptyset$ , 50Hz	1.2	260	1350	1300	765	22	67	8	60	14

\*Tolerance  $\pm$ 5% on Specified values

**Dimensional Drawing**



**Performance Chart**



DOUBLE INLET FORWARD CURVED IMPELLER 200-255 SERIES

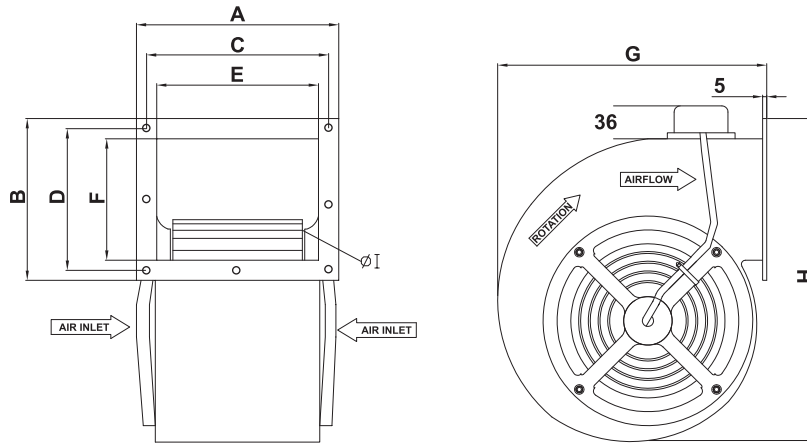


Technical Specification\*

TYPE	I/P SUPPLY	AMPS (A)	WATTS (W)	RPM	AIRFLOW		STATIC-PR (mm-wc)	dBA	CAP. $\mu$ f	ADMISSIBLE AMBIENT TEMP	WEIGHT Kg
					(CMH)	(CFM)					
SDB 200 T2	415V, 3 $\emptyset$ , 50Hz	2.6	1500	2700	2600	1529	85	85	..	60	18
SDB 220 T2	415V, 3 $\emptyset$ , 50Hz	2.80	1600	2600	2800	1647	115	87	..	60	19
SDB 220 S4	230V, 1 $\emptyset$ , 50Hz	2	500	1400	1650	971	30	70	12.5	60	16
SDB 220 T4	415V, 3 $\emptyset$ , 50Hz	0.7	360	1400	1650	971	30	70	..	60	16
SDB 240 S4	230V, 1 $\emptyset$ , 50Hz	2.7	650	1400	2750	1618	40	72	15	60	19
SDB 240 T4	415V, 3 $\emptyset$ , 50Hz	1.2	750	1400	2750	1618	40	72	..	60	20
SDB 255 T4	415V, 3 $\emptyset$ , 50Hz	3.2	1250	1400	3400	2000	75	85	..	60	24

\*Tolerance  $\pm$ 5% on Specified values

PRODUCT DRAWING

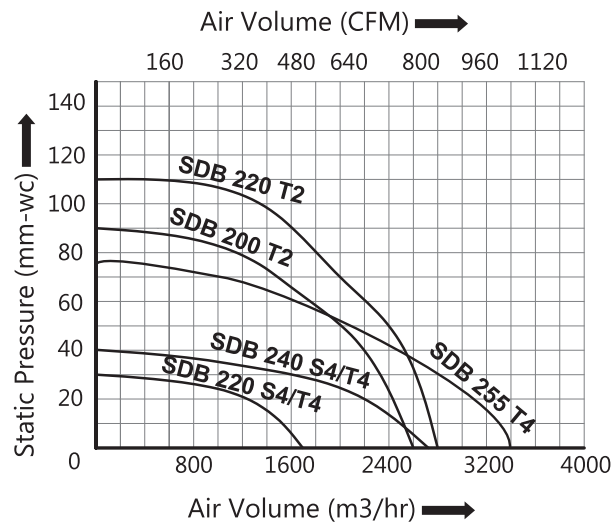


Dimensional Details

TYPE	A	B	C	D	E	F	G	H	I
SDB 200 T2	250	200	225	175	200	150	333	398	180
SDB 220 SERIES	250	200	225	175	200	150	333	398	170
SDB 240 S4	290	190	265	165	240	140	341	408	200
SDB 255 T4	362	325	332	295	300	140	381	418	210

Note: ALL DIMENSIONS ARE IN mm

Performance Chart



**DOUBLE INLET BACKWARD CURVED IMPELLER 250 SERIES**

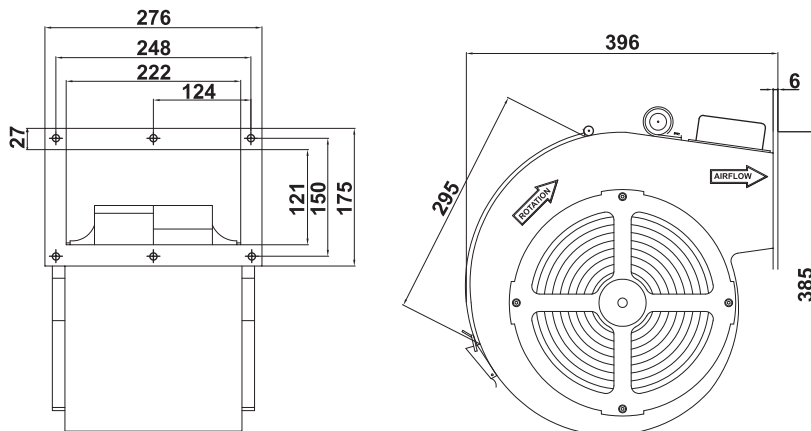


Technical Specification\*

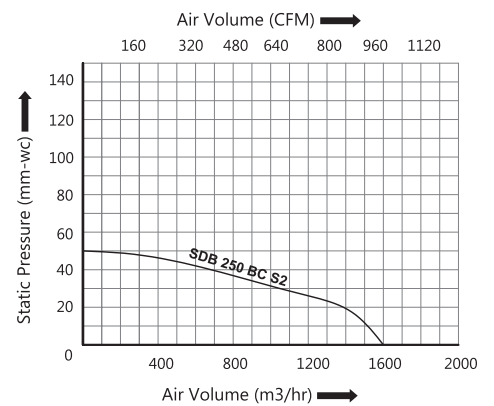
TYPE	I/P SUPPLY	AMPS (A)	WATTS (W)	RPM	AIRFLOW		STATIC-PR (mm-wc)	dBA	CAP. $\mu$ f	ADMISSIBLE AMBIENT TEMP	WEIGHT Kg
					(CMH)	(CFM)					
SDB 250 BC S2	230V, 1 $\emptyset$ , 50Hz	2.0	450	2750	1600	941	85	85	12.5	60	15
SDB 250 BC T2	415V, 3 $\emptyset$ , 50Hz	0.75	400	2750	1600	941	85	85	..	60	15

\*Tolerance  $\pm$ 5% on Specified values

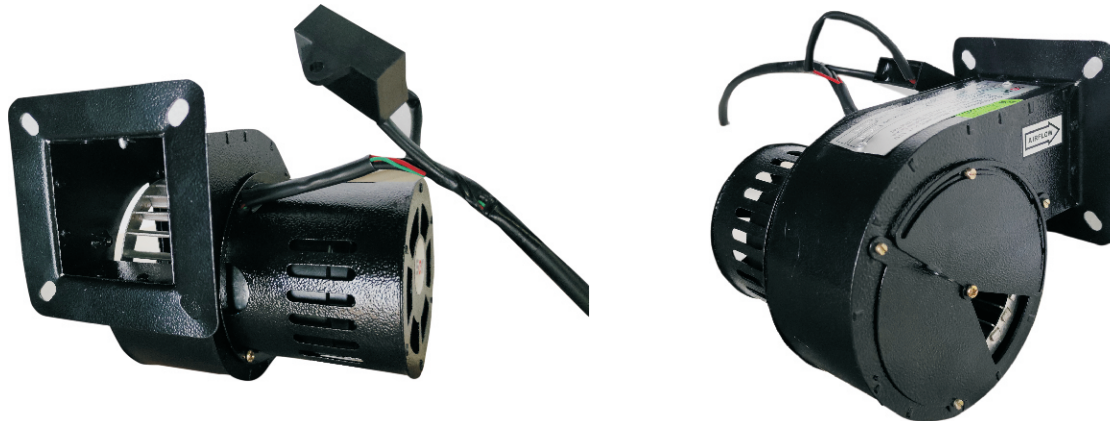
Dimensional Drawing



Performance Chart



MINI BLOWER

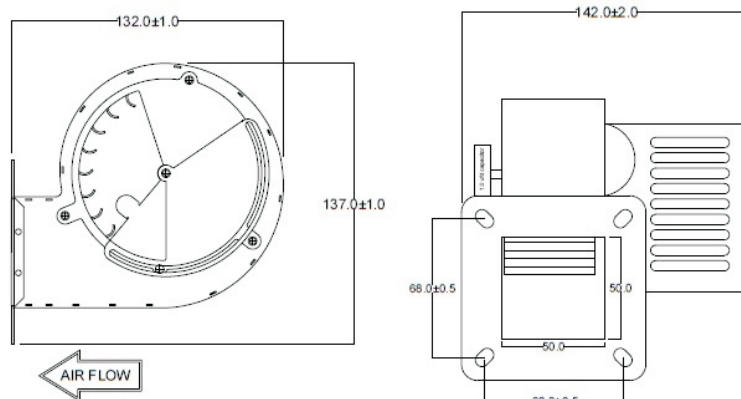


Technical Specification\*

TYPE	I/P SUPPLY	AMPS (A)	WATTS (W)	RPM	AIRFLOW		STATIC-PR (mm-wc)	dBA	CAP. $\mu$ f	ADMISSIBLE AMBIENT TEMP	WEIGHT Kg
					(CMH)	(CFM)					
MB 1BT	230V, 1 $\phi$ , 50Hz	0.14	25	2800	94	55	8	50	1.0	60°C	1.1

\*Tolerance  $\pm$ 5% on Specified values

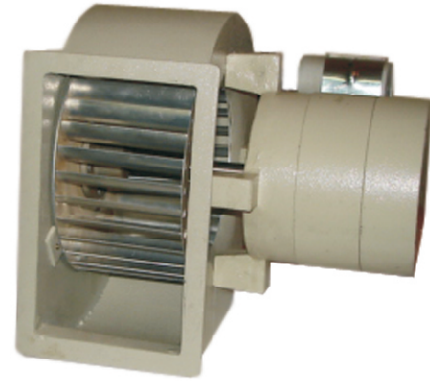
Dimensional Drawing



**APPLICATION AREAS:**

1. Bakery Ovens
2. Fire Gas Stove
3. Panel Cooling
4. Mild Cooling Applications with Flow Control
5. Cleat and Rivit type casing

## CONVENTIONAL SINGLE INLET BLOWER



### Technical Specification\*

TYPE	I/P SUPPLY	AMPS (A)	WATTS (W)	RPM	AIRFLOW		STATIC-PR (mm-wc)	dBA	CAP. $\mu$ f	ADMISSIBLE AMBIENT TEMP	WEIGHT Kg
					(CMH)	(CFM)					
SSB 53 S2	230V, 1 $\emptyset$ , 50Hz	0.45	90	2750	450	265	42	65	4	60	3.4
SSB 55 S2	230V, 1 $\emptyset$ , 50Hz	0.50	120	2750	600	353	42	66	4	60	3.8
SSB 60 S2	230V, 1 $\emptyset$ , 50Hz	0.65	160	2750	650	382	45	68	4	60	4
SSB 63 S2	230V, 1 $\emptyset$ , 50Hz	0.7	170	2750	700	412	45	70	5	60	4.5

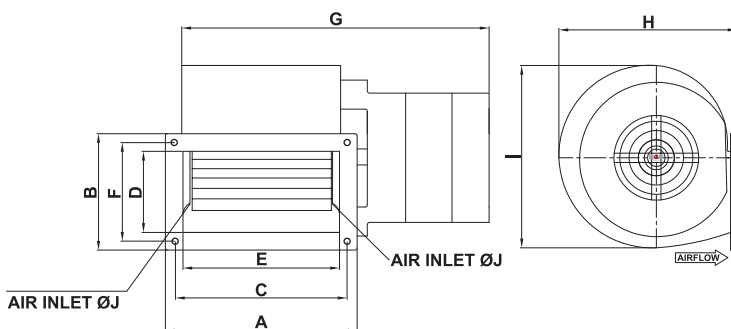
\*Tolerance  $\pm$ 5% on Specified values

### Dimensional Details

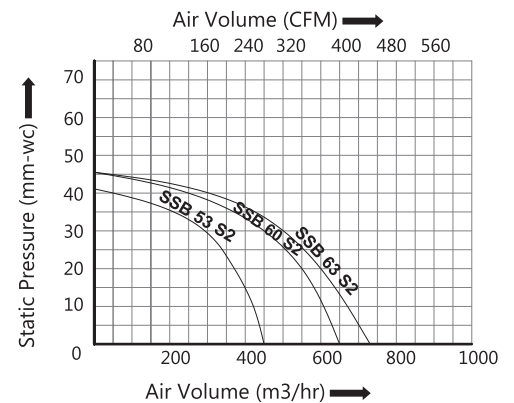
TYPE	A	B	C	D	E	F	G	H	I	J
SSB 53 (DI)	122	98	110	50	96	72	225	140	148	75*75
SSB 55 (DI)	162	96	148	84	135	70	260	139	145	75*75
SSB 60 (DI)	125	120	110	50	96	94	225	160	170	90*90
SSB 53 (SI)	120	186	105	145	90	160	228	202	220	105

Note: ALL DIMENSIONS ARE IN mm  
DI - Double inlet  
SI - Single inlet

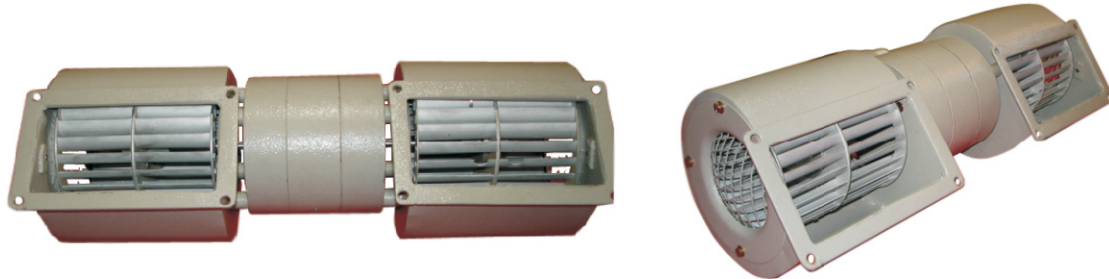
### Dimensional Drawing



### Performance Chart



## CONVENTIONAL DOUBLE INLET DOUBLE BLOWER



### Technical Specification\*

TYPE	I/P SUPPLY	AMPS (A)	WATTS (W)	RPM	AIRFLOW		STATIC-PR (mm-wc)	dBA	CAP. $\mu$ f	ADMISSIBLE AMBIENT TEMP	WEIGHT Kg
					(CMH)	(CFM)					
SDB 53 S2	230V, 1 $\emptyset$ , 50Hz	0.70	165	2800	800	471	40	77	5	60	4.5
SDB 53 S4	230V, 1 $\emptyset$ , 50Hz	0.40	75	1400	350	206	15	60	2	60	4.5
SDB 55 S2	230V, 1 $\emptyset$ , 50Hz	0.80	190	2800	1150	676	40	75	5	60	5
SDB 60 S2	230V, 1 $\emptyset$ , 50Hz	1.0	235	2500	1250	735	45	80	5	60	5.3

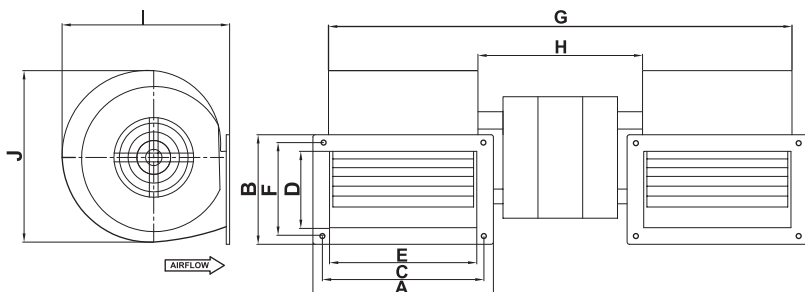
\*Tolerance  $\pm$ 5% on Specified values

### Dimensional Details

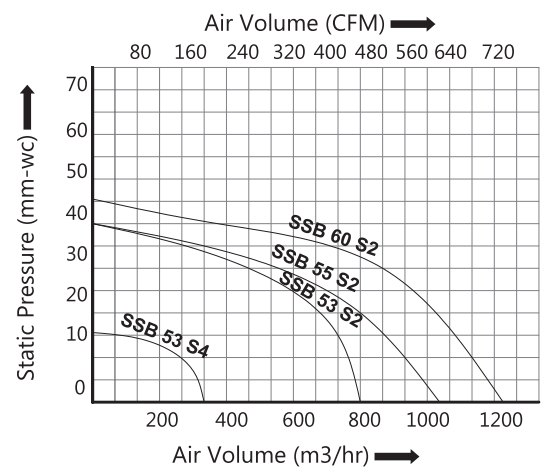
TYPE	A	B	C	D	E	F	G	H	I	J
SDB 53 S2	127	105	110	50	96	72	342	145	140	148
SDB 53 S4	122	98	110	50	96	72	342	145	140	148
SDB 55 S2	162	96	148	84	135	70	420	145	139	145
SDB 60 S2	125	120	110	50	96	94	345	150	160	170

Note: ALL DIMENSIONS ARE IN mm

### Dimensional Drawing



### Performance Chart



CONVENTIONAL SINGLE INLET DOUBLE BLOWER

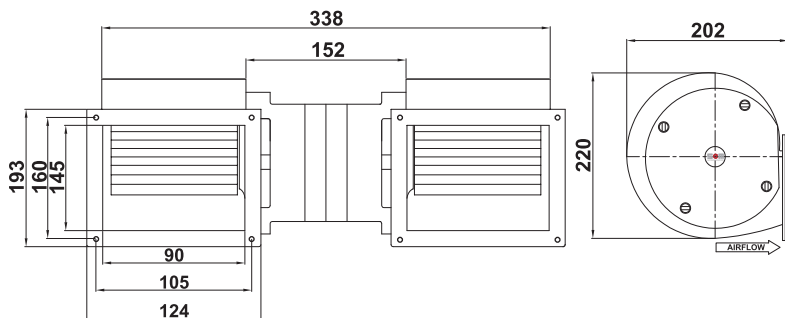


Technical Specification\*

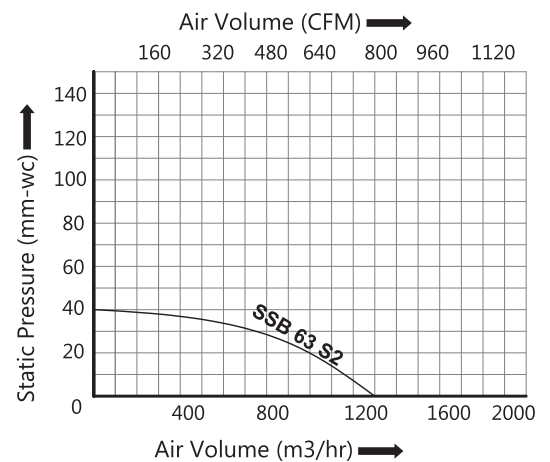
TYPE	I/P SUPPLY	AMPS (A)	WATTS (W)	RPM	AIRFLOW		STATIC-PR (mm-wc)	dBA	CAP. $\mu$ f	ADMISSIBLE AMBIENT TEMP	WEIGHT Kg
					(CMH)	(CFM)					
SDB 63 S2	230V, 1 $\emptyset$ , 50Hz	1	240	2700	1300	765	40	73	6	60	6

\*Tolerance  $\pm$ 5% on Specified values

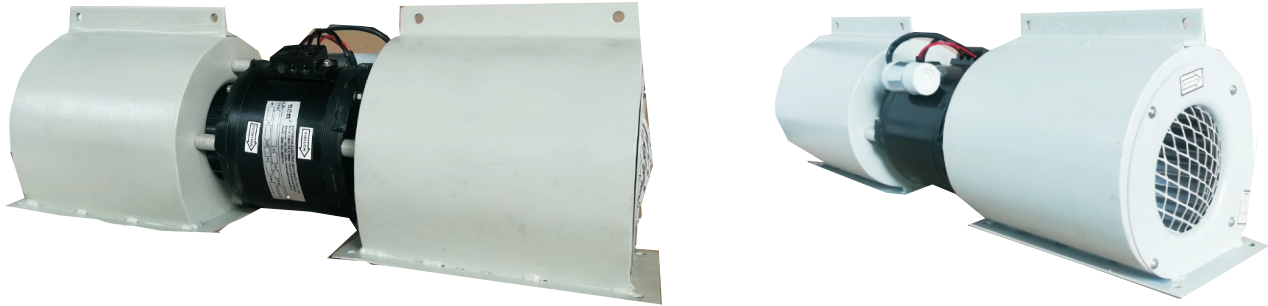
Dimensional Drawing



Performance Chart



CONVENTIONAL DOUBLE INLET DOUBLE BLOWER

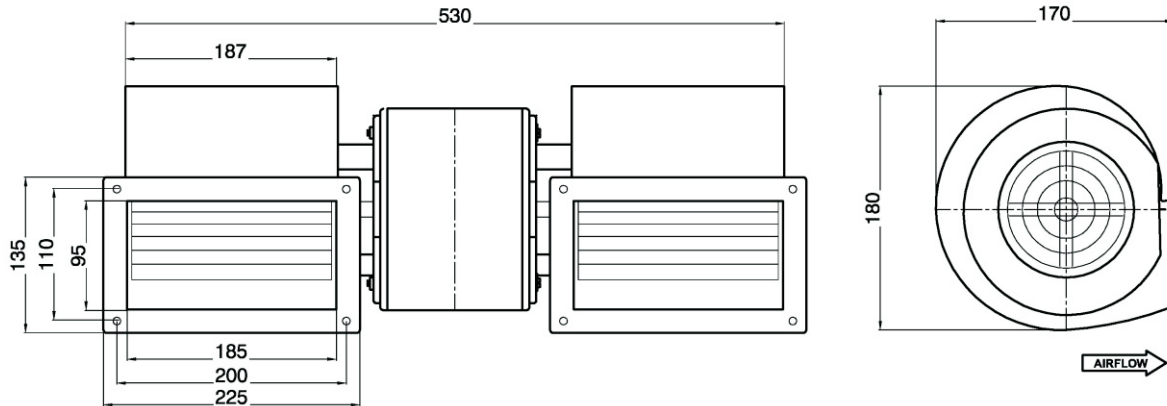


Technical Specification\*

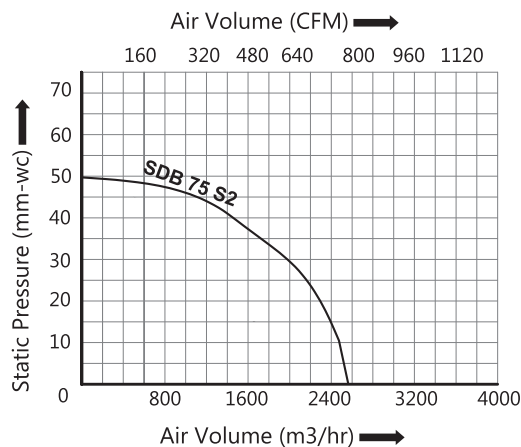
TYPE	I/P SUPPLY	AMPS (A)	WATTS (W)	RPM	AIRFLOW		STATIC-PR (mm-wc)	dBA	CAP. $\mu$ f	ADMISSIBLE AMBIENT TEMP	WEIGHT Kg
					(CMH)	(CFM)					
SDB 75 S2	230V, 1 $\emptyset$ , 50Hz	2.40	520	2750	2500	1470	50	75	8	60	9

\*Tolerance  $\pm$ 5% on Specified values

Dimensional Drawing



Performance Chart



PORTABLE BLOWER (FOR INFLATABLES)

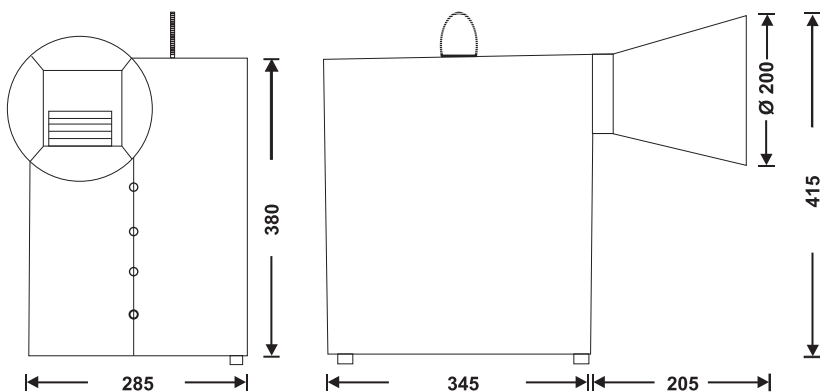


Technical Specification\*

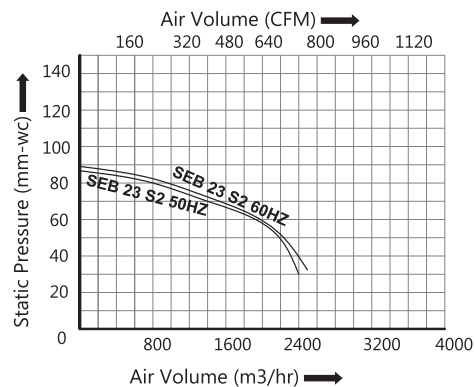
TYPE	I/P SUPPLY	AMPS (A)	WATTS (W)	RPM	AIRFLOW		STATIC-PR (mm-wc)	dBA	CAP. $\mu$ f	ADMISSIBLE AMBIENT TEMP	WEIGHT Kg
					(CMH)	(CFM)					
SEB 23 S2	230V, 1 $\emptyset$ , 50Hz	7	1500	2800	2500	1471	85	77	25	65	21
SEB 23 S2/SPL	230V, 1 $\emptyset$ , 60Hz	9	2100	2850	2600	1529	88	80	25	65	22

\*Tolerance  $\pm$ 5% on Specified values

Dimensional Drawing



Performance Chart



**BLOWERS FOR INFLATABLES**

**COMPACT MS BLOWER WITHOUT FLANGE**



5EC

9EC

**PLASTIC ENCLOSURE BLOWERS**



SPI 36 S2

SPI 43 S2

SPI 30 S2

**SKY DANCER BLOWERS**



SKD 400 S2



SKD 400 S2



**LED ROTATING BLOWERS**

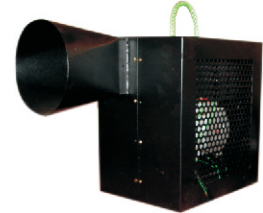


LED 450 S2



LED 450 S2

**BOX BLOWER**



**Technical Specification\***

TYPE	I/P SUPPLY	AMPS (A)	WATTS (W)	RPM	AIRFLOW (CMH)	STATIC-PR (mm-wc)	dBA	WEIGHT Kg
5EC1BT W/F	230V, 1Ø, 50Hz	0.35	60	2700	275	36	64	2.00
6EC1BT W/F	230V, 1Ø, 50Hz	0.40	120	2600	400	38	68	3.00
9EC1BT W/F	230V, 1Ø, 50Hz	0.65	160	2550	450	40	69	4.25
10EC1BT W/F	230V, 1Ø, 50Hz	1.00	230	2350	600	55	72	4.50
SKD 400 S2	230V, 1Ø, 50Hz	3.20	1500	2880	11000	55	65	18.0
LED 450 S2	230V, 1Ø, 50Hz	0.60	150	2800	400	28	60	10.0
SPI 30 S2	230V, 1Ø, 50Hz	1.00	250	2800	240	180	66	2.5
SPI 36 S2	230V, 1Ø, 50Hz	1.20	370	2800	360	200	69	3.5
SPI 43 S2	230V, 1Ø, 50Hz	1.60	610	2800	600	210	73	7.2

\*Tolerance ±5% on Specified values

BACKWARD CURVED RADIAL FANS

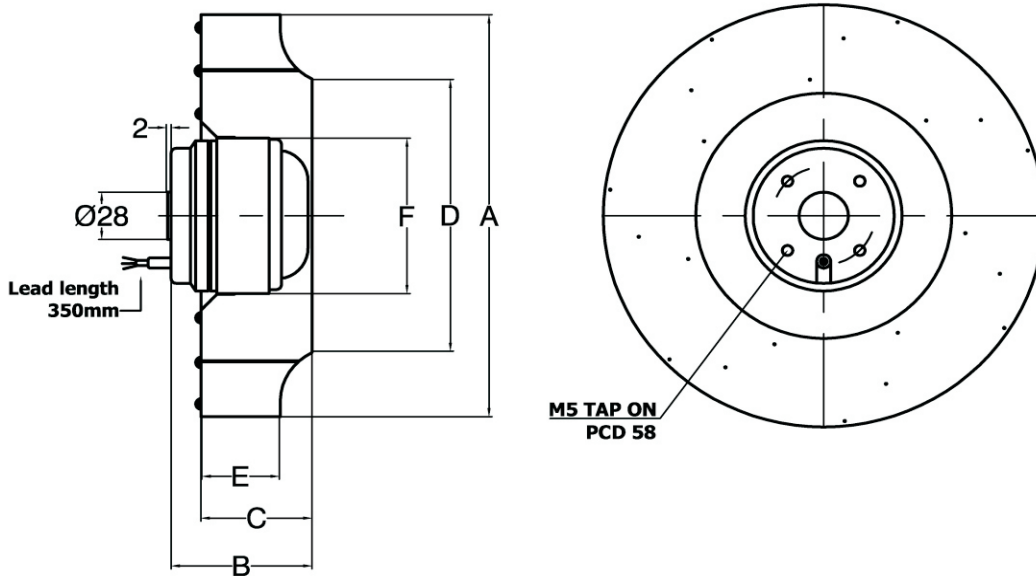


Technical Specification\*

TYPE	I/P SUPPLY	AMPS (A)	WATTS (W)	RPM	AIRFLOW		STATIC-PR (mm-wc)	dBA	CAP. $\mu$ f	ADMISSIBLE AMBIENT TEMP	WEIGHT Kg
					(CMH)	(CFM)					
SBC 14 S2	230V, 1 $\emptyset$ , 50Hz	0.08	25	2800	290	171	17	50	1	60	0.9
SBC 14 T2	415V, 3 $\emptyset$ , 50Hz	0.10	35	2800	290	170	17	50	..	60	0.9
SBC 19 S2	230V, 1 $\emptyset$ , 50Hz	0.35	75	2550	570	335	32	62	2	60	1.2
SBC 19 S4	230V, 1 $\emptyset$ , 50Hz	0.21	28	1340	300	176	12	54	2	60	1.2
SBC 19 T2	415V, 3 $\emptyset$ , 50Hz	0.20	80	2550	570	335	32	55	..	60	1.2
SBC 22 S2	230V, 1 $\emptyset$ , 50Hz	0.40	110	2700	885	521	42	72	2	60	2.0
SBC 23 S2	230V, 1 $\emptyset$ , 50Hz	0.55	130	2650	1200	706	55	70	4	60	2.5
SBC 23 T2	415V, 3 $\emptyset$ , 50Hz	0.45	135	2650	1200	706	55	70	..	60	2.5
SBC 23 T2/60Hz	415V, 3 $\emptyset$ , 60Hz	0.42	145	3000	1275	750	60	72	..	60	2.7
SBC 25 S4/35	230V, 1 $\emptyset$ , 50Hz	0.20	100	1400	810	476	18	61	2	60	2.2
SBC 25 S2/35	230V, 1 $\emptyset$ , 50Hz	0.60	140	2650	1230	724	52	73	4	60	2.6
SBC 25 T2/35	415V, 3 $\emptyset$ , 50Hz	0.25	130	2600	1200	705	51	72	..	60	2.6
SBC 25 S2/45	230V, 1 $\emptyset$ , 50Hz	0.70	175	2600	1450	853	57	75	5	60	3.1

\*Tolerance  $\pm$ 5% on Specified values

PRODUCT DRAWING

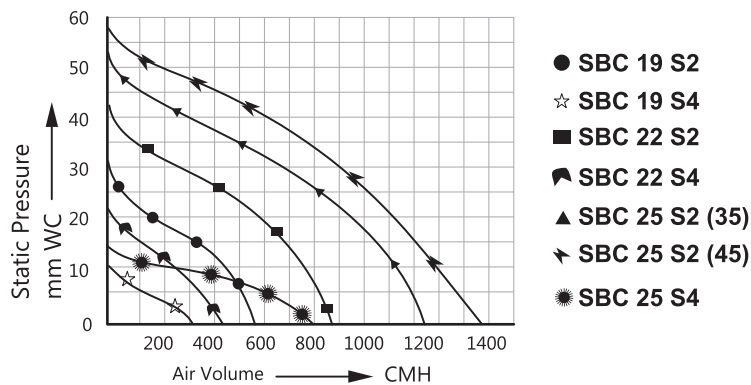


Dimensional Details

TYPE	A(OD)	B(TOTAL HEIGHT)	C(FAN WIDTH)	D(SUCTION DIA)	E(THROW WIDTH)	F(ROTOR DIA)
SBC 14 (S)	133	73	60	92	42	72
SBC 14 (STD)	133	94	60	92	42	72
SBC 19	190	77	62	132	44	92
SBC 22	220	77	66	160	44	92
SBC 23	225	99	85	154	62	92
SBC 25/35	250	86	74	175	45	92
SBC 25/45	250	106	86	175	56	92

Note: ALL DIMENSIONS ARE IN mm

Performance Chart



SINGLE INLET BACKWARD CURVED IMPELLER SERIES

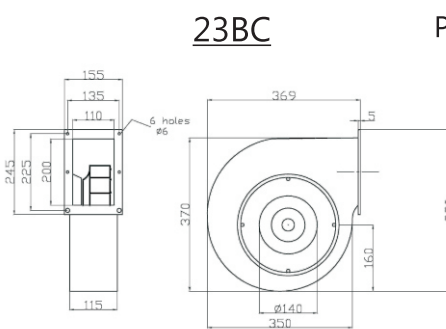
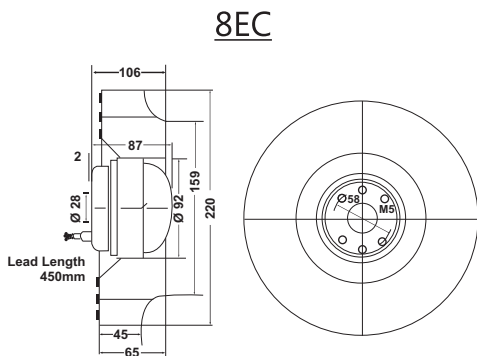


Technical Specification\*

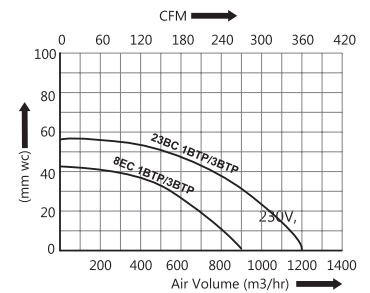
TYPE	I/P SUPPLY	AMPS (A)	WATTS (W)	RPM	AIRFLOW		STATIC-PR (mm-wc)	dBA	CAP. $\mu$ f	ADMISSIBLE AMBIENT TEMP	WEIGHT Kg
					(CMH)	(CFM)					
8 EC 1BTP	230V, 1 $\emptyset$ , 50Hz	0.6	110	2700	880	518	42	65	3.15	60	2.5
8 EC 3BTP	415V, 3 $\emptyset$ , 50Hz	0.2	100	2700	880	518	42	65	..	60	2.5
1C-8 EC 1BTP	230V, 1 $\emptyset$ , 50Hz	0.6	110	2700	880	518	42	66	3.15	60	6
1C-8 EC 3BTP	415V, 3 $\emptyset$ , 50Hz	0.2	100	2700	880	518	42	66	..	60	6
2C-8EC 1BTP	230V, 1 $\emptyset$ , 50Hz	1.2	240	2700	1760	1035	42	80	3.15	60	9.1
2C-8 EC 3BTP	415V, 3 $\emptyset$ , 50Hz	0.4	180	2700	1760	1035	42	80	..	60	9.1
23BC 1BT	230V, 1 $\emptyset$ , 50Hz	0.53	130	2650	1200	706	55	70	4	60	7.0
23BC 3BT	415V, 3 $\emptyset$ , 50Hz	0.25	140	2650	1200	706	55	70	..	60	7.0
25BC 1BT	230V, 1 $\emptyset$ , 50Hz	0.60	140	2450	1230	724	55	74	4	60	7.5
25BC 3BT	415V, 3 $\emptyset$ , 50Hz	0.30	150	2450	1230	724	55	74	..	60	7.5

\*Tolerance  $\pm$ 5% on Specified values

Dimensional Drawing



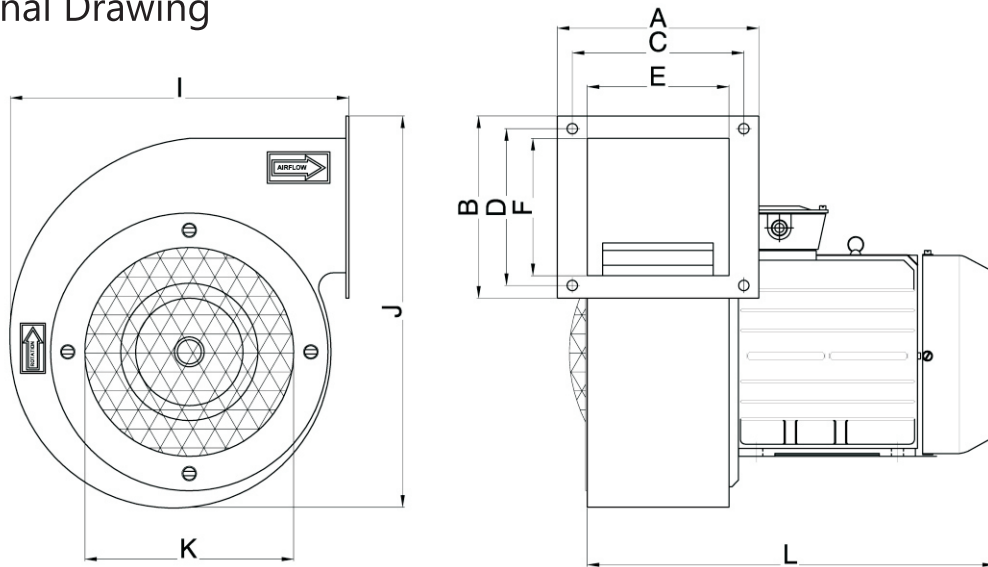
Performance Chart



SINGLE INLET FORWARD CURVED IMP. WITH EXTERNAL MOTOR



Dimensional Drawing



Dimensional Details

TYPE	A	B	C	D	E	F	I	J	K	L
130 IM 3BT	120	111	100	85	85	73	178	210	96	286
150 IM 3BT	109	140	90	120	70	90	225	275	140	275
160 IM 3BT	135	122	115	105	95	92	222	265	140	295
170 IM 3BT	125	140	110	120	86	110	261	290	145	292

Technical Specification\*

TYPE	I/P SUPPLY	AMPS (A)	WATTS (W)	RPM	AIRFLOW (CMH)	STATIC-PR (mm-wc)	dBA	ADMISSIBLE AMBIENT TEMP	WEIGHT Kg
130 IM 3BT	415V, 3Ø, 50Hz	0.65	200	2880	420	68	80	80°	5.4
150 IM 3BT	415V, 3Ø, 50Hz	0.70	250	2880	500	40	72	80°	5.6
160 IM 3BT	415V, 3Ø, 50Hz	0.75	275	2800	650	55	74	80°	6.0
170 IM 3BT	415V, 3Ø, 50Hz	0.76	300	2800	800	58	76	80°	6.75

\*Tolerance ±5% on Specified values

## HEAVY DUTY CENTRIFUGAL BLOWER

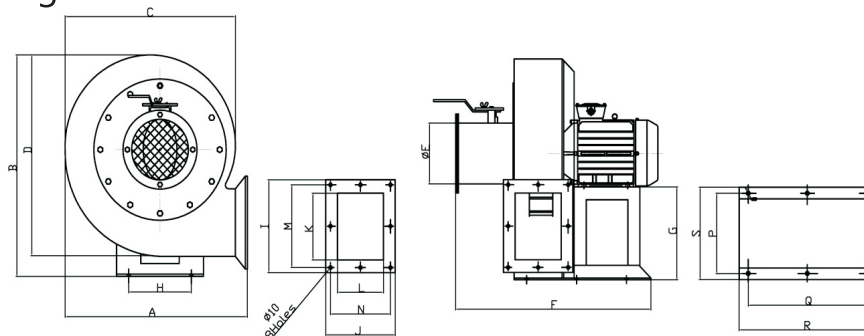


### Technical Specification\*

TYPE	I/P SUPPLY	AMPS (A)	WATTS (W)	RPM	AIR FLOW		STATIC.P (mm-wc)
					(CMH)	(CFM)	
IM 180 T2-0.25HP	415V, 3Ø, 50Hz	0.65	200	2850	600	353	55
IM 200 T4-0.5HP	415V, 3Ø, 50Hz	0.8	375	1400	350	205	30
IM 200 T2-0.5HP	415V, 3Ø, 50Hz	0.8	375	2800	750	441	75
IM 250 T4-1HP	415V, 3Ø, 50Hz	1.7	750	1400	1020	600	60
IM 250 T2-1HP	415V, 3Ø, 50Hz	1.7	750	2800	2300	1353	130
IM 300 T4-2HP	415V, 3Ø, 50Hz	3.2	1500	1400	1700	1000	55
IM 300 T2-2HP	415V, 3Ø, 50Hz	3.2	1500	2800	3300	1941	125
IM 350-3HP	415V, 3Ø, 50Hz	4.5	2250	2800	4000	2353	120

\*Tolerance ±5% on Specified values

### Dimensional Drawing



### Dimensional Details

TYPE	A	B	C	D	E	F	G	H	I	J	K	L	M	N	O	P	Q	R
IM 200 0.5HP	410	495	375	385	80	430	250	190	200	155	135	90	172	125	190	225	285	210
IM 250 -1HP	425	490	380	425	165	620	210	220	242	242	170	170	212	212	230	320	400	262
IM 300 -2HP	590	700	545	600	200	615	345	210	280	220	208	146	255	195	240	330	400	270
IM 350 - 3HP	600	750	580	665	212	615	380	210	289	215	210	145	245	180	240	320	405	275

**HEAVY DUTY CENTRIFUGAL BLOWER**

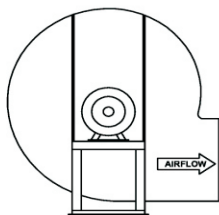


**CUSTOM MADE CENTRIFUGAL BLOWERS**

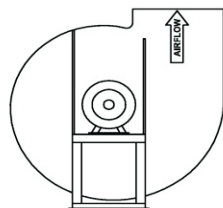
- Motor HP Range (0.25HP to 12.5HP and above on special requirement)
- Static Pressure Range (20mm-wc to 300mm-wc)
- Air Volume Output (100 CMH to 20000 CMH)
- Specific Application Blowers
- Coupled Shaft Motor Blowers (For High Temperature Application upto 350°C)
- Belt Driven Motor Blowers (For High Temperature Application)
- Inlet, Outlet, Airflow, Static Pressure Parameters according to requirement
- Flame Proof Motor Blowers for special requirement

**FORM OF BLOWERS**

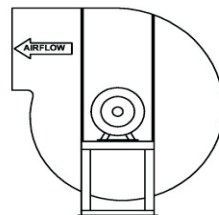
Dimensional Drawing VIEW FROM DRIVE END(Motor Side)



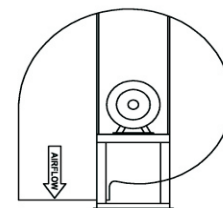
FORM A1



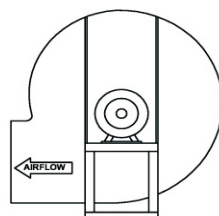
FORM A2



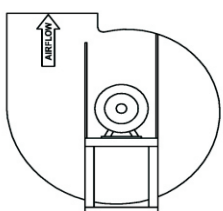
FORM A3



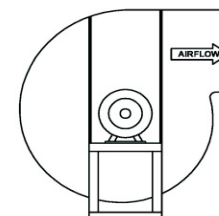
FORM A4



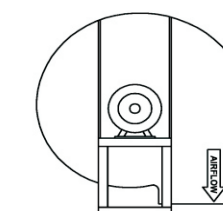
FORM C1



FORM C2

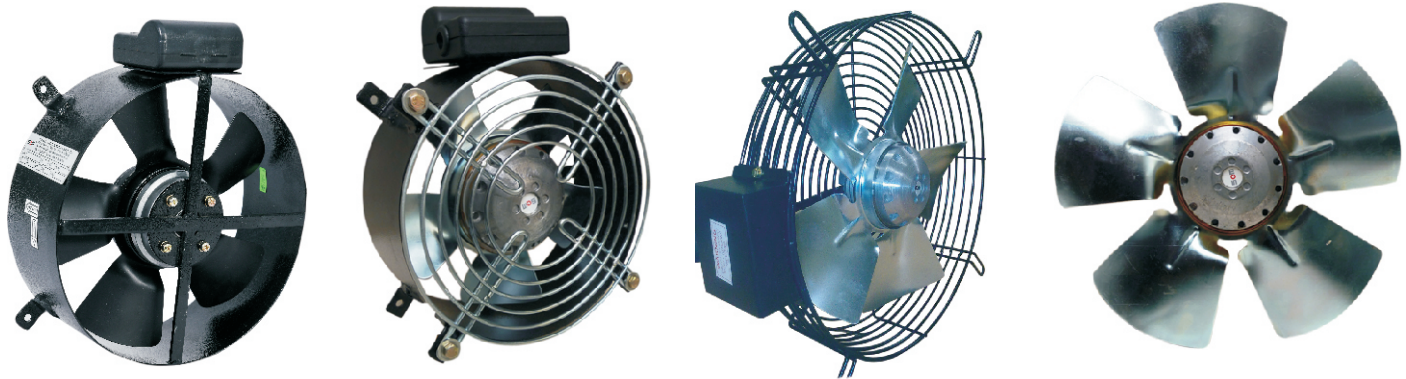


FORM C3



FORM C4

**AXIAL FAN EXTERNAL ROTOR PRESS FIT IMPELLER**



**Technical Specification\***

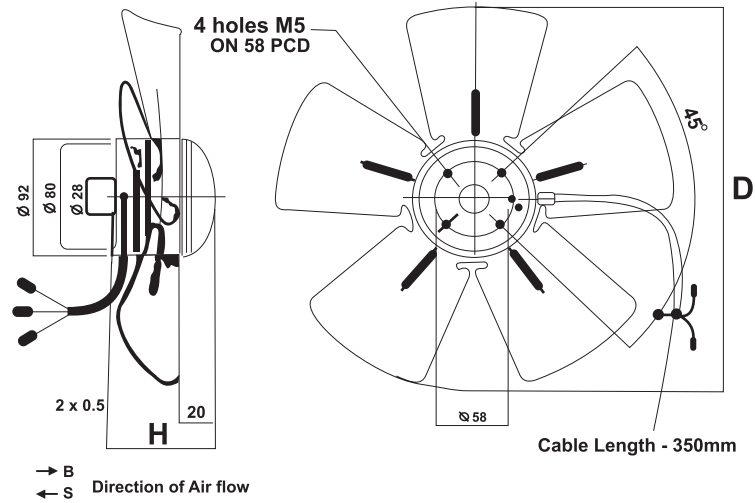
TYPE	I/P SUPPLY	AMPS (A)	WATTS (W)	RPM	AIRFLOW		STATIC-PR (mm-wc)	dBA	CAP. µf	Fan Dia D(mm)	Height H(mm)	ADMISSIBLE AMBIENT TEMP	WEIGHT Kg
					(CMH)	(CFM)							
CM 130 S2/B2	230V, 1Ø, 50Hz	0.15	25	2850	300	176	16	50	1	128	65	60	1.05
CM 150 S2/B2	230V, 1Ø, 50Hz	0.15	30	2850	350	206	20	52	1.5	148	65	60	1.05
CM 200 S4/B4	230V, 1Ø, 50Hz	0.25	45	1400	425	250	8	50	1.5	197	78	60	2
CM 200 S2/B2	230V, 1Ø, 50Hz	0.3	60	2750	900	529	26	65	2	197	78	60	2.25
6AF3S2/B2	415V, 3Ø, 50Hz	0.17	40	2880	350	206	18	60	..	148	78	60	1.90
8AF 3B4/S4	415V, 3Ø, 50Hz	0.35	50	1400	425	250	8	50	..	197	78	60	2
8AF 3B2/S2	415V, 3Ø, 50Hz	0.2	90	2800	900	529	26	65	..	197	78	60	2
CM 250 S4/B4	230V, 1Ø, 50Hz	0.25	65	1400	850	500	10	50	2.5	248	87	60	2.25
CM 250 S2/B2	230V, 1Ø, 50Hz	0.6	140	2600	1700	1000	35	72	3.15	248	87	60	2.25
10AF 3B2/S2	415V, 3Ø, 50Hz	0.25	130	2650	1700	1000	35	72	..	248	87	60	2.25
10AF 3B4/S4	415V, 3Ø, 50Hz	0.25	80	1475	1000	588	9	50	..	248	87	60	2
CM 300 B4/S4	230V, 1Ø, 50Hz	0.3	75	1400	1750	1029	12	64	3.15	298	88	60	2.5
12AF 3B4/S4	415V, 3Ø, 50Hz	0.30	75	1350	1750	1029	12	64	..	298	88	60	2.5
CM 300 B2/S2	230V, 1Ø, 50Hz	0.7	165	2450	2300	1353	20	65	4	298	88	60	2.5
12AF 3B2/S2	415V, 3Ø, 50Hz	0.30	150	2450	2300	1353	20	73	..	298	88	60	2.5

Note: 'S' indicates Suction type, 'B' indicates Blowing type

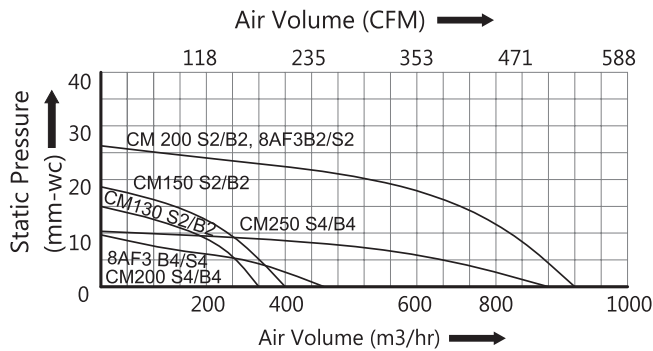
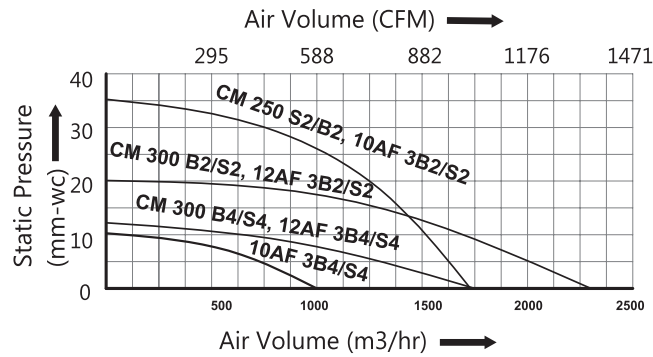
\*Tolerance +5% on Specified values

PRODUCT DRAWING

Dimensional Drawing



Performance Chart



**AXIAL FAN EXTERNAL ROTOR RIVETED IMPELLER**



Fan with FG



Fan with BG



Fan with Casing

**Technical Specification\***

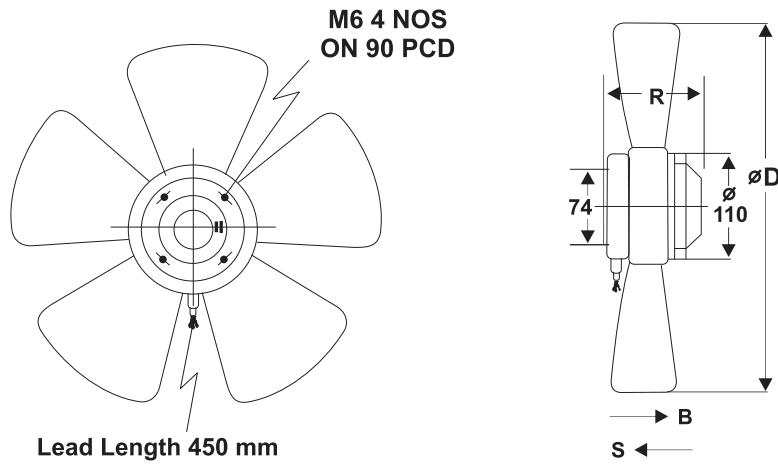
TYPE	I/P SUPPLY	AMPS (A)	WATTS (W)	RPM	AIRFLOW		STATIC-PR (mm-wc)	dBA	CAP. $\mu$ f	Fan Dia D(mm)	Height H(mm)	ADMISSIBLE AMBIENT TEMP	WEIGHT Kg
					(CMH)	(CFM)							
CM 350 B4/S4	230V, 1 $\emptyset$ , 50Hz	0.75	165	1400	2900	1706	22	64	6	348	110	60	4
CM 400 B4/S4	230V, 1 $\emptyset$ , 50Hz	1	220	1350	4200	2471	26	69	6	398	120	60	4.5
CM 450 B4/S4	230V, 1 $\emptyset$ , 50Hz	1.6	350	1350	5800	3412	28	68	6	446	135	60	5.8
14AF 3B4/S4	415V, 3 $\emptyset$ , 50Hz	0.4	145	1400	2900	1706	22	64	..	348	110	60	4
16AF 3B4/S4	415V, 3 $\emptyset$ , 50Hz	0.5	220	1350	4200	2471	26	69	..	398	120	60	4.5
18AF 3B4/S4	415V, 3 $\emptyset$ , 50Hz	0.6	280	1350	5800	3412	28	68	..	446	135	60	5.7
20AF 3S4	415V, 3 $\emptyset$ , 50Hz	0.85	420	1350	6800	4000	13	70	..	496	125	60	9.5

\*Tolerance  $\pm$ 5% on Specified values

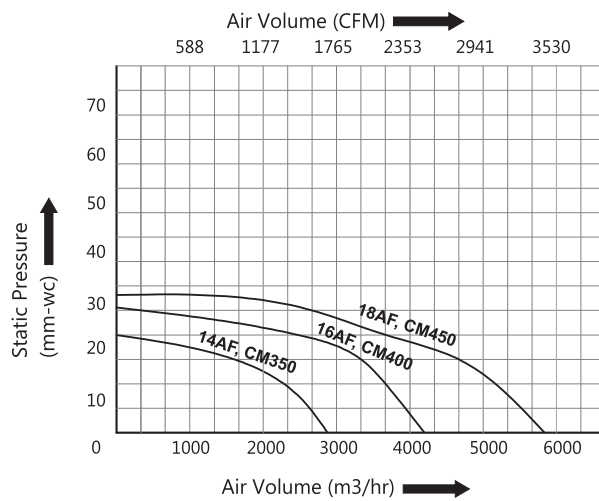


PRODUCT DRAWING

Dimensional Drawing



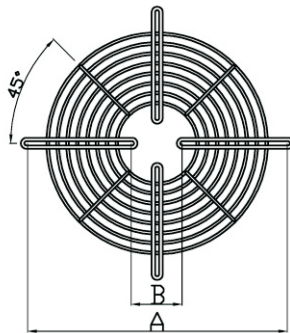
Performance Chart



FAN ACCESSORIES

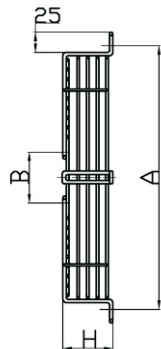
Dimensional Drawing

**STRAIGHT GRILL (FG)**



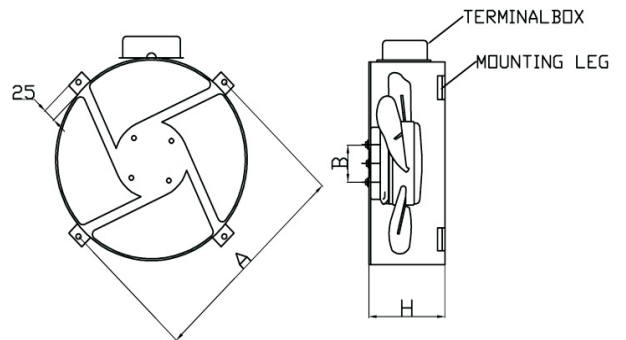
FRONT VIEW W/O FAN

**BASKET GRILL (BG)**



SIDE VIEW W/O FAN

**ROUND CASING**



FRONT VIEW W/O FAN

SIDE VIEW WITH FAN

**STRAIGHT GRILL (FG)**

FG TYPE	A	B
6"/150	180	58
8"/200	250	58
10"/250	290	58
12"/300	350	58
14"/350	400	90
16"/400	450	90
18"/450	520	90
20"/500	555	120

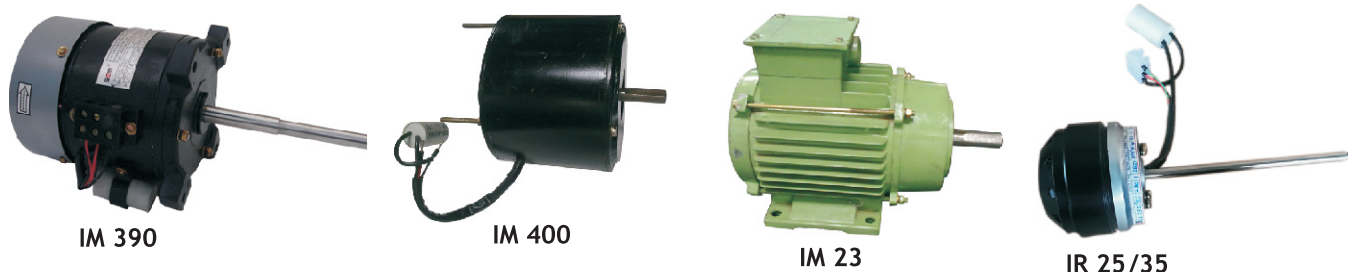
**BASKET GRILL (BG)**

BGTYPE	A	H	B
6"/150	220	45	58
8"/200	270	45	58
10"/250	310	60	58
12"/300	365	68	58
14"/350	425	60	90
16"/400	475	55	90
18"/450	540	90	90
20"/500	570	90	120
12"/300 (LF)	425	82	58

**ROUND CASING (BG)**

CASING TYPE	A	H	B
6"/150	178	75	58
8"/200	240	90	58
10"/250	295	100	58
12"/300	340	100	58
14"/350	400	135	90
16"/400	450	135	90
18"/450	520	150	90
20"/500	555	150	120

INDUCTION MOTORS

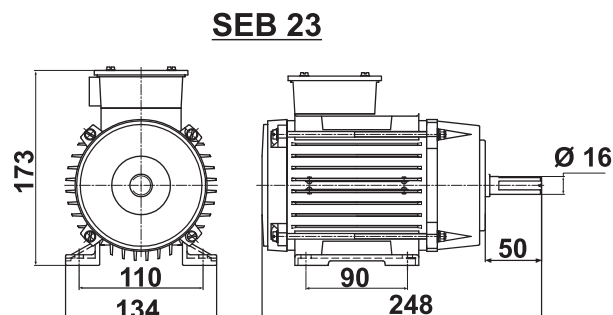
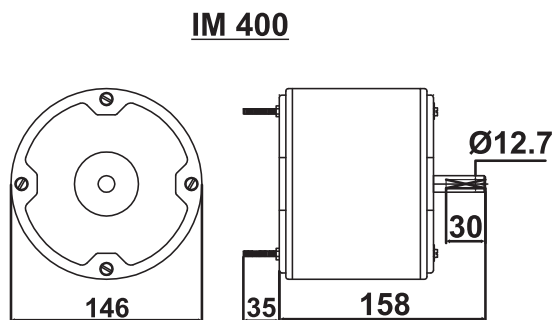
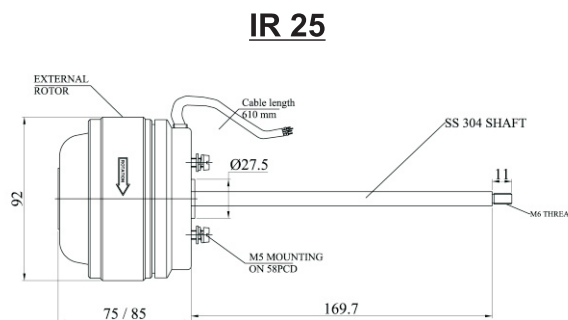
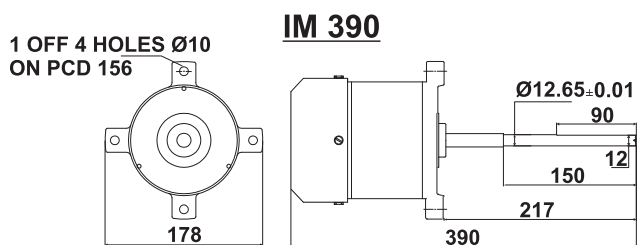


Technical Specification\*

TYPE	I/P SUPPLY	AMPS (A)max	FULL LOAD WATTS (W)	RPM	CAP. $\mu$ f	ADMISSIBLE AMBIENT TEMP	WEIGHT Kg
IM 390 S4	230V, 1 $\emptyset$ , 50Hz	0.5	150	1400	4	60	6
IM 390 T4	415V, 3 $\emptyset$ , 50Hz	0.4	150	1400	..	60	6
IM 400 S4	230V, 1 $\emptyset$ , 50Hz	0.65	165	1450	3.15	60	6.5
IM 23 S4	230V, 1 $\emptyset$ , 50Hz	3.0	950	1450	12.5	60	8.5
IM 23 S2	230V, 1 $\emptyset$ , 50Hz	7.0	1500	2900	25	60	8.2
IR 25 SS	230V, 1 $\emptyset$ , 50Hz	0.45	90	2600	2	60	2.2
IR 35 SS	230V, 1 $\emptyset$ , 50Hz	0.60	120	2800	4	60	3.2

\*Tolerance  $\pm$ 5% on Specified values

Product Drawing



**PUMP MOTORS**



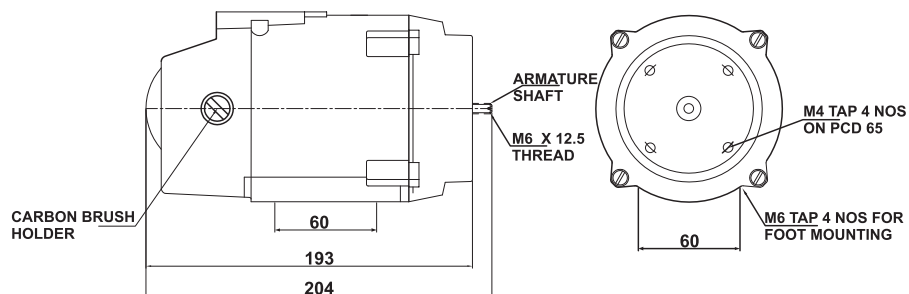
**Technical Specification\***

TYPE	I/P SUPPLY	AMPS (A)max	WATTS (W)max	RPM	dBA	ADMISSIBLE AMBIENT TEMP	WEIGHT Kg
S.M-1	230V, 1Ø, 50Hz	0.90	250	14000	88	60	3.6
S.M-2	230V, 1Ø, 50Hz	1.50	350	16000	88	60	4.2

\*Tolerance ±5% on Specified values

**Dimensional Drawing**

**SM 1, SM 2**



INLINE DUCT FAN



Technical Specification\*

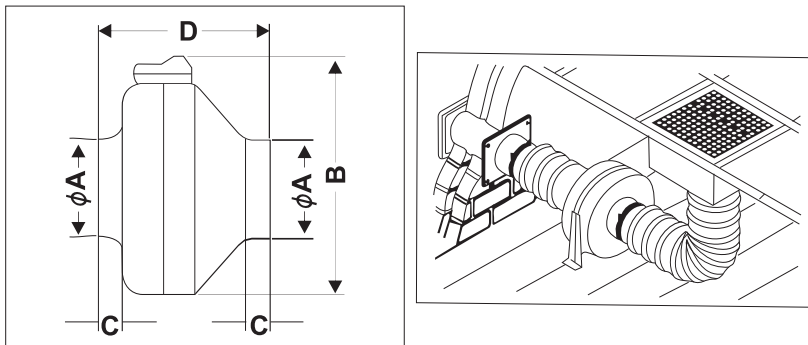
TYPE	I/P SUPPLY	AMPS (A)	WATTS (W)	RPM	AIRFLOW		STATIC-PR (mm-wc)	dBA	CAP. $\mu$ f	ADMISSIBLE AMBIENT TEMP	WEIGHT Kg
					(CMH)	(CFM)					
SID 100 S2	230V, 1 $\emptyset$ , 50Hz	0.35	80	2600	300	176	30	52	2	60	3.5
SID 100 S4	230V, 1 $\emptyset$ , 50Hz	0.3	70	1400	175	103	16	52	2	60	3.5
SID 150 S2	230V, 1 $\emptyset$ , 50Hz	0.45	120	2600	650	382	38	54	2.5	60	4.5
SID 150 T2	415V, 3 $\emptyset$ , 50Hz	0.17	85	2600	650	382	38	56	..	60	4.5
SID 200 S2	230V, 1 $\emptyset$ , 50Hz	0.6	150	2600	1100	647	50	60	4	60	6
SID 200 T2	415V, 3 $\emptyset$ , 50Hz	0.3	150	2500	1120	659	50	60	..	60	6
SID 250 S2	230V, 1 $\emptyset$ , 50Hz	0.65	160	2650	1600	941	55	63	5	60	6
SID 250 T2	415V, 3 $\emptyset$ , 50Hz	0.30	155	2500	1500	882	52	62	..	60	6.2

\*Tolerance  $\pm$ 5% on Specified values

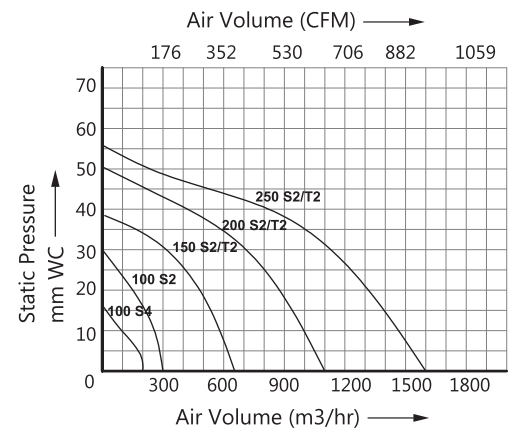
Dimensional Details

TYPE	A	B	C	D
SID 100 S2/S4	97	320	30	240
SID 150 S2/T2	147	360	30	250
SID 200 S2/T2	197	404	35	250
SID 250 S2	247	404	35	260

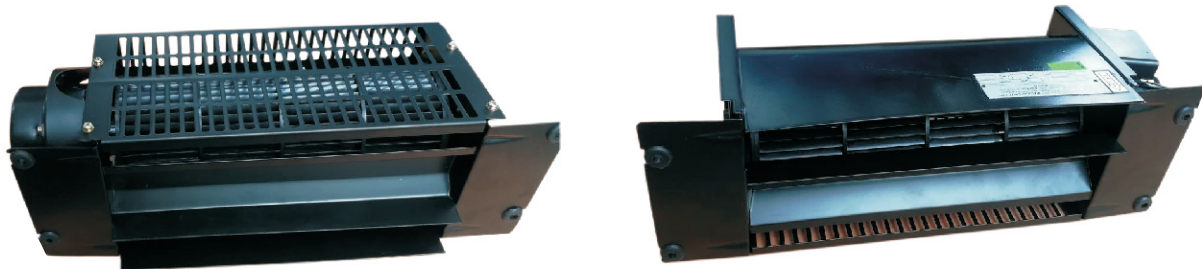
Dimensional Drawing



Performance Chart



CROSS FLOW FAN

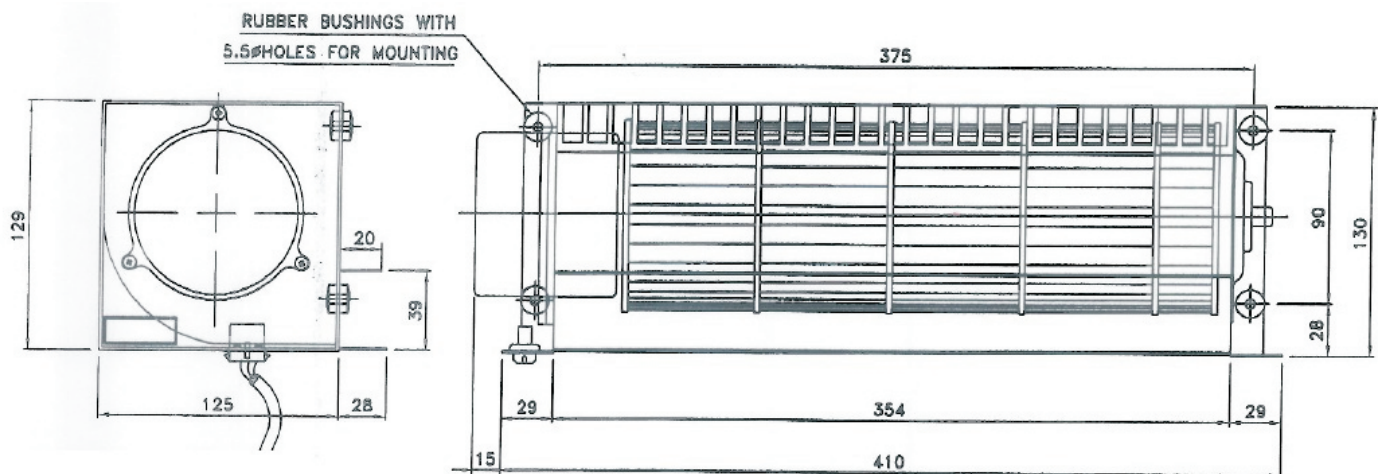


Technical Specification\*

TYPE	I/P SUPPLY	AMPS (A)	WATTS (W)	RPM	AIRFLOW (CMH)	STATIC-PR (mm-wc)	dBA	WEIGHT Kg
SCF 100 S4	230V, 1Ø, 50Hz	0.20	40	1400	510	18	56	4.5

\*Tolerance +5% on Specified values

Dimensional Drawing



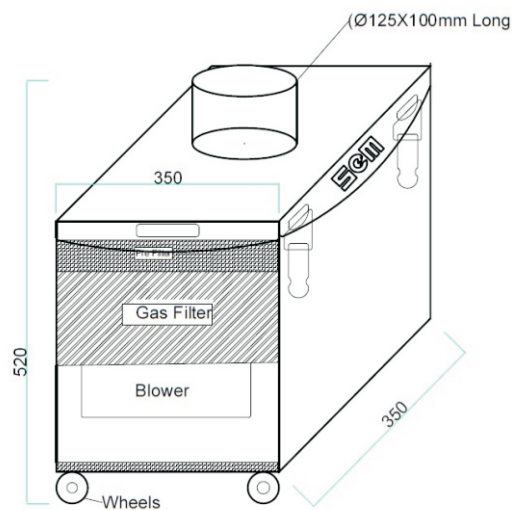
## FUME EXTRACTOR



### Technical Specification\*

TYPE	Voltage (V)	Phase (Ø)	Current (A)	Watts (W)	RPM	CMH/CFM	mm-WC	Capacitor	dBA	Amp. Temp.
FUME EXTRACTOR	230	1Ø	0.70	175	2600	1450/853	57	5µf	60	60°C

### Dimensional Drawing



**NOTE :**

- Electrical and Flow Parameters can change depends upon type of filter use.

CUSTOMIZED MODELS FOR INDIAN RAILWAYS



EXHAUST FAN 190V



DOUBLE INLET BLOWER 415V



DOUBLE INLET BLOWER 110V



DOUBLE INLET BLOWER 230V



SINGLE INLET BLOWER 415V



SINGLE INLET BLOWER 230V

CUSTOMIZED MODELS



BASE/CONE ADAPTER



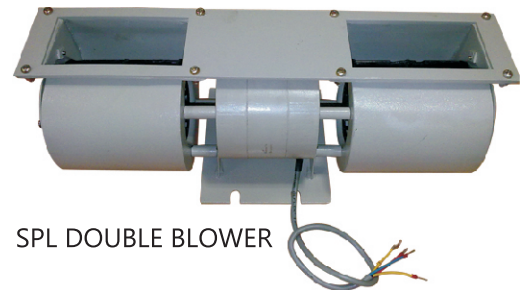
FOR WELDING MACHINE



PANEL COOLING



EXTENDED NECK



SPL DOUBLE BLOWER



1C TYPE



EXTERNAL MOTOR AXIAL FAN



PUMP MOTOR

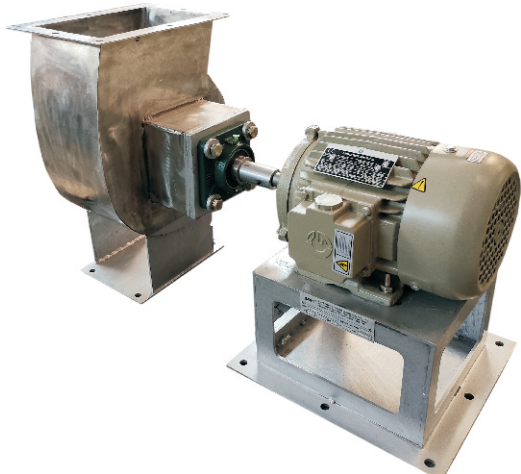


THYRISTER COOLING UNIT



MINI BLOWER

HEAVY DUTY CUSTOMIZED MODELS



2HP SUSPENDED TYPE BLOWER



1HP STANDARD CENTRIFUGAL BLOWER WITH INLET DAMPER



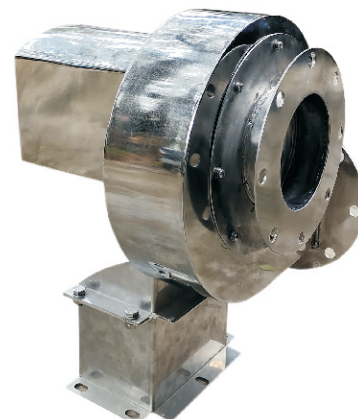
HEAVY DUTY BLOWER 12.5 HP



CENTRIFUGAL BLOWER



SS 304 - 1/2 HP BLOWER



SS 304 - 1/2 HP BLOWER

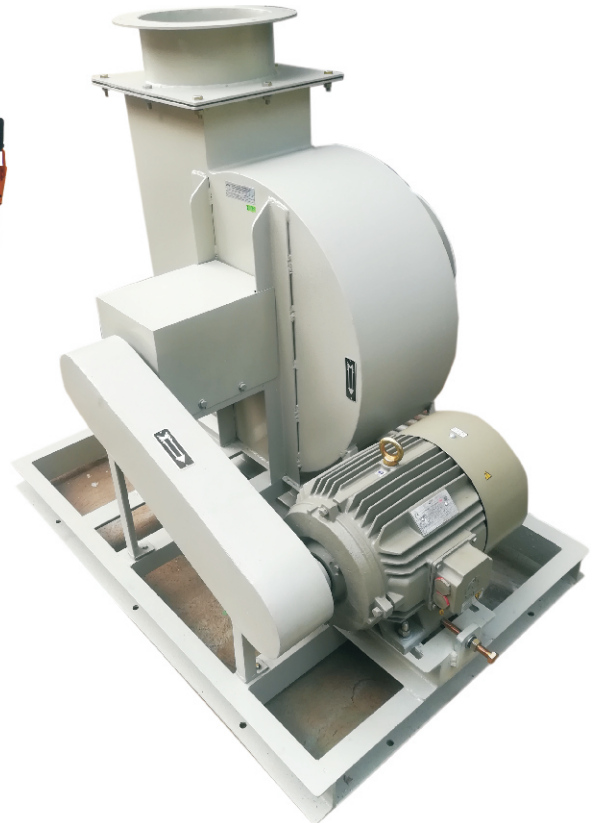
CUSTOMIZED MODELS



5HP HIGH TEMPERATURE BLOWER

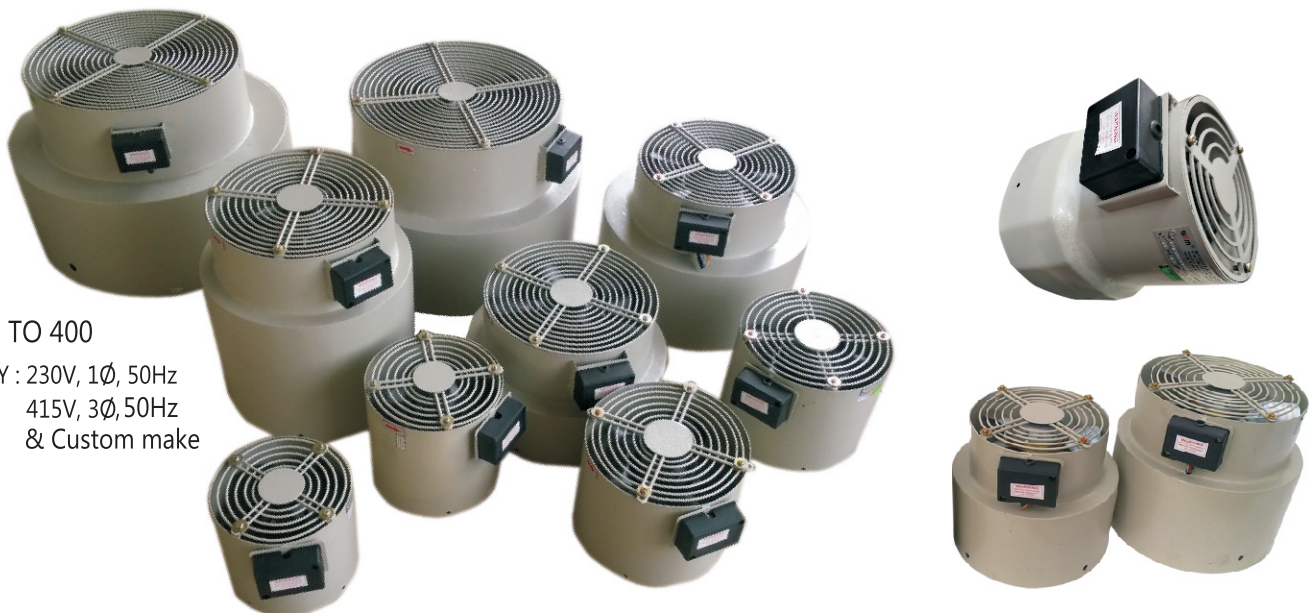


FUME EXTRACTOR



10 HP BELT DRIVE BLOWER

**FORCED MOTOR COOLING UNITS FOR ALL MAKES**



FRAMES : 63 TO 400

POWER SUPPLY : 230V, 1Ø, 50Hz  
415V, 3Ø, 50Hz  
& Custom make



## **Superior Electric Machines Pvt. Ltd.**

# B-214, 5th Main, 2nd Stage, Peenya Industrial Estate

BANGALORE - 560 058, Karnataka, INDIA

Phone : +91 80 2836 1383, 2836 1742

Mob.: 9448283841, 9448283843



AN ISO 9001-2015 CERTIFIED COMPANY